

SPECIFICATION

()

CUSTOMER : BHM

()

PART NO. : LY-W081W140D-A01

()

SPEC NO. : LY-LEYOND -0001

()

DESCRIPTION : 1W High Power White LED

()

DATE : 26/09/2008

()

R&D DEPARTMENT

()

APPROVED	CHECKED	PREPARED
()	()	()

Feature

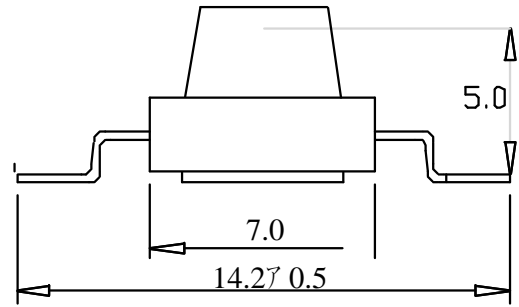
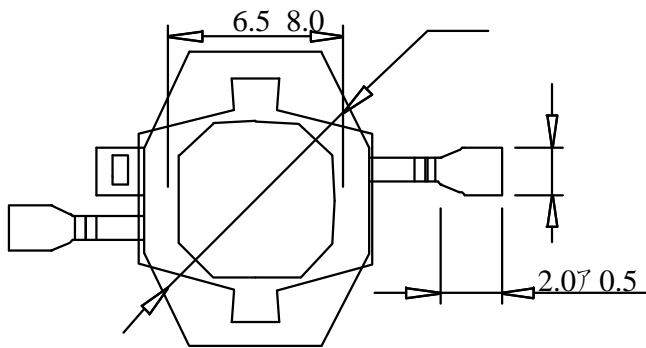
Applications

- () 1W High Power LED ()
- () (1W LED)
- () Package : SMT Package ()
- () Half Angle (2 1/2):140- ()
- () (:140-)
- () Lens Color : Water Clear ()
- () (:) ()

- General Linghting ()
- Advertisement ()
- Architectural Lighting ()
- Street Lamps ()

Package Dimensions

()



Notes:

1. All dimensions are in millimeters. ()
2. Tolerance is ± 0.25 unless otherwise noted (: ± 0.25)

Part NO. () Material	LED Chip		LED Emitted Color (LED)	Lens Color ()	Description ()
	()	Emitted Color ()			
LY-W081W140D-A01	InGaN GaN	Blue() White()	Clear() Water	Clear	()

--	--	--

()			

VF-IF Characteristics(VF-IF)

